



RENAULT Clio

Type

S/Section

X57

Phase II

56

56 EXTERNAL REAR VIEW MIRRORS

- Engine: XXX
- Gearbox : XXX

Basic Manual : M.R. 296

Replacing the mirror glass and outer casing on new external rear view mirrors.

These operations must be carried out using adequate protective equipment.



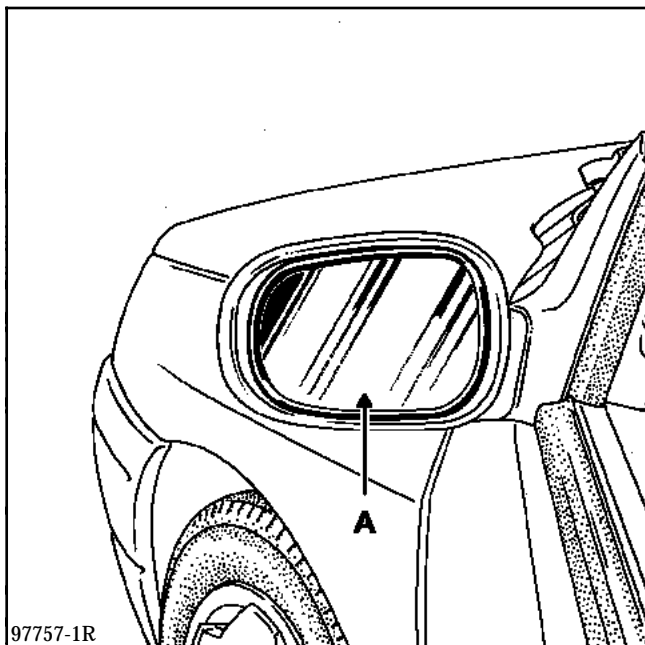
The repair methods given by the manufacturer in this document are based on the technical specifications current when it was prepared.

The methods may be modified as a result of changes by the manufacturer in the production of the various component units and accessories from which his vehicles are constructed".

All copyrights reserved by the Régie Nationale des Usines Renault.

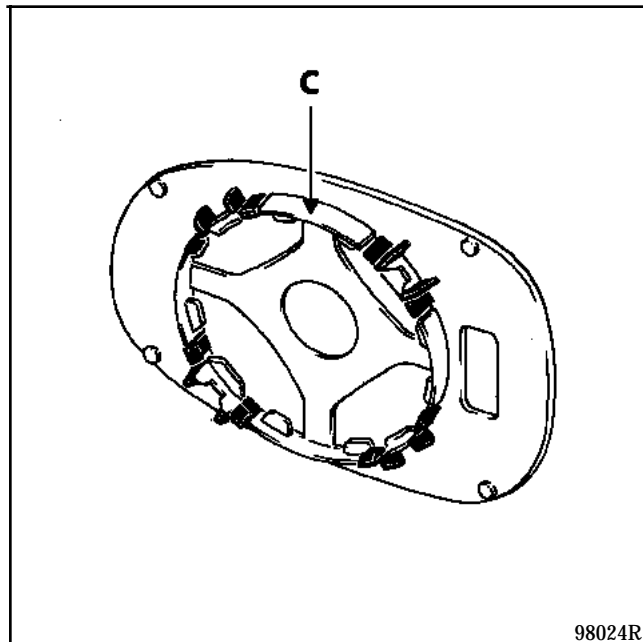
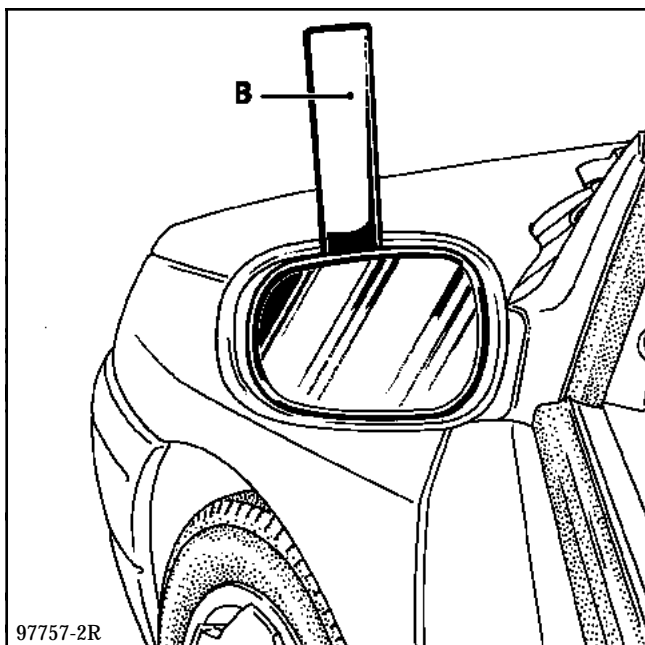
Copying or translating, in part or in full, of this document or use of the service part reference numbering system is forbidden without the prior written authority of the Régie Nationale des Usines Renault S.A.

REPLACING THE MIRROR



Bring the mirror glass to its end stop position by pressing at (A).

Protect the upper section of the rear view mirror using a piece of rag or some masking tape so as not to damage the mirror.



Insert a spatula (wooden or plastic) (B), and slide it the length of the back of the mirror until it comes to the end stop (C).

With a movement perpendicular to the surface of the mirror housing, carefully unclip the mirror.

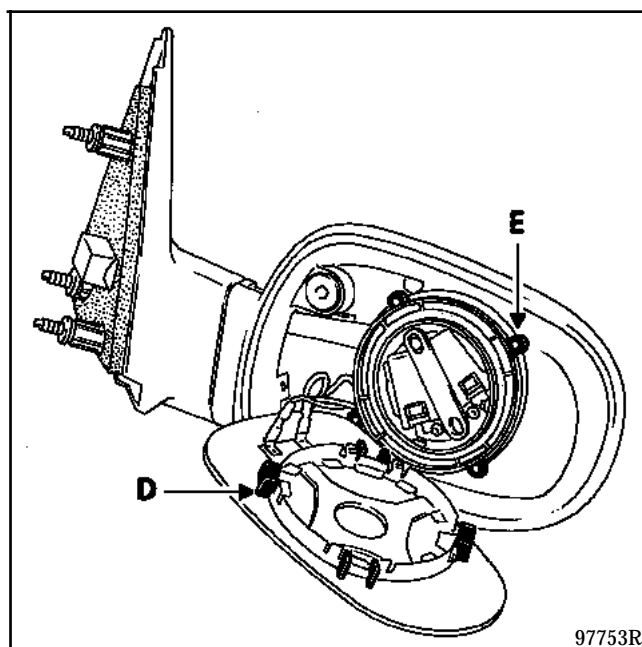
With one section of the mirror glass (upper section) being unclipped, place your fingers behind the glass and finish off unclipping the lower section.

Note : In case of a demisting rear view mirror, disconnect the wiring harness.

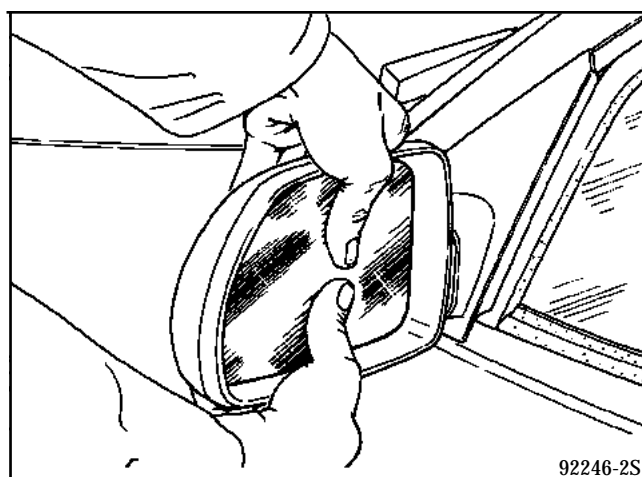
REFITTING THE MIRROR

Make sure that the part number on the back of the mirror holder (new spare part) is the same as the part number on the one you have removed.

In the case of a demisting rear view mirror, re-connect the wiring harness.



Line up the mirror using the centring guides (D) with the small lugs located around the edge (E).

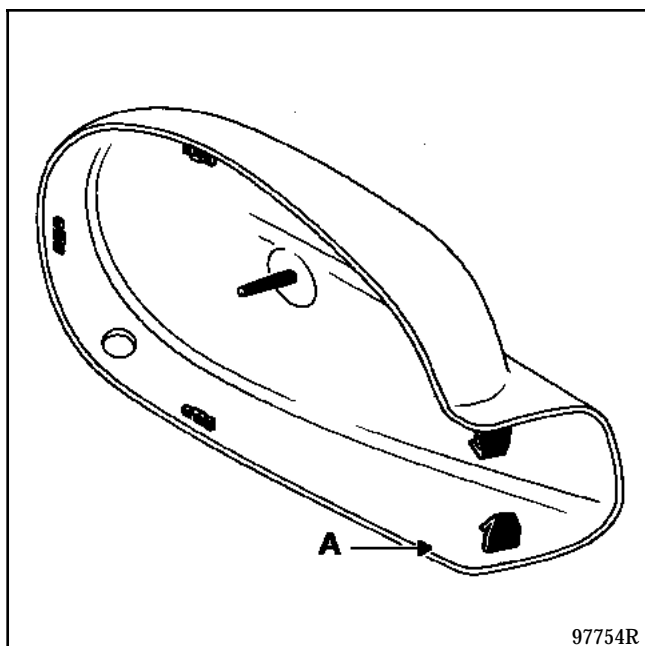


Clip the mirror in place by pressing the centre of the mirror glass as shown in the diagram above.

THESE CANNOT BE DISMANTLED WITHOUT BREAKING THE SECURING CLIPS

REMOVAL

Attention : The operation for removing the outer casing must commence at the bottom of the casing.



Remember to protect the rear view mirror unit.

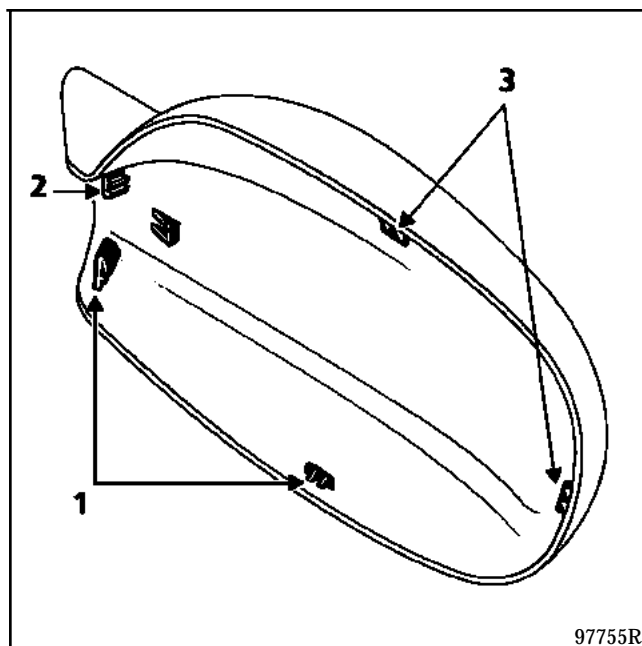
Fit a tool (such as a large flat screwdriver) between the mirror unit and the casing, at (A).

Press against this until the clips break off.

Pull on the lower section of the casing and disengage the top section.

REFITTING

After painting the casings, follow the reclipping order as shown below.



Fit points (1).

Then fit the clips (2).

Finish off by clipping points (3).

REMINDER :

The tightening torque for fitting the external rear view mirror onto the door is :

$5 \text{ N.m} \pm 0.75 \text{ N.m}$

It is advisable to tighten the lower fixings and then the upper fixing.