



	Type	Sub section
RENAULT Clio	X57 X	81 83 84 85 87

ELECTRICAL EQUIPMENT.

81

Other sub sections concerned: **83 84 85 87**

Engine: All types.
Gearbox: All types, basic manual: M.R. 295

This note updates Chapter 8 of MR 295, following changes in the RENAULT CLIO.

- Courtesy light
- Engine compartment fuses
- Dashboard
- Fuel level sensor
- Windscreen wiper control switch
- Lights control switch
- Ignition switch
- Front windscreen wiper
- Rear windscreen wiper
- Windscreen wiper timer.

"The repair methods given by the manufacturer in this document are based on the technical specifications current when it was prepared.

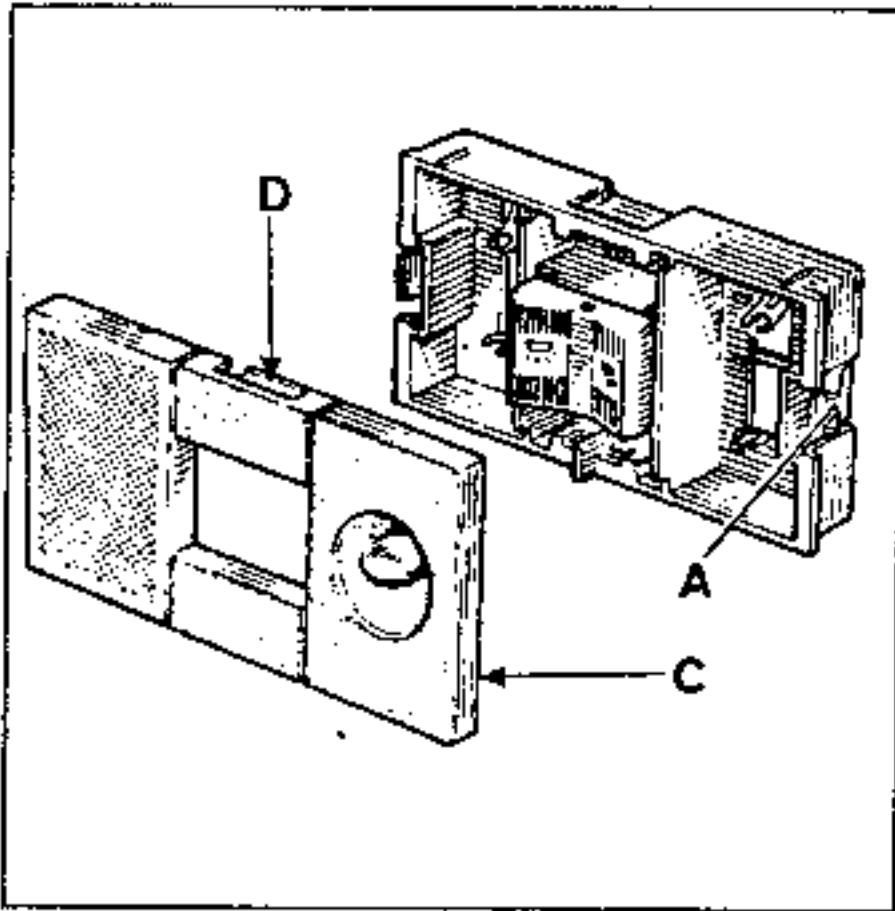
The methods may be modified as a result of changes introduced by the manufacturer in the production of the various component units and accessories from which his vehicles are constructed".

All copyrights reserved by the Régie Nationale des Usines Renault.

Copying or translating, in part or in full, of this document or use of the service part reference numbering system is forbidden without the prior written authority of the Régie Nationale des Usines Renault.

REMOVAL.

Remove plate (C), clipped at point (D).
Undo the clips (A) to remove the light.



Courtesy light connector (B).

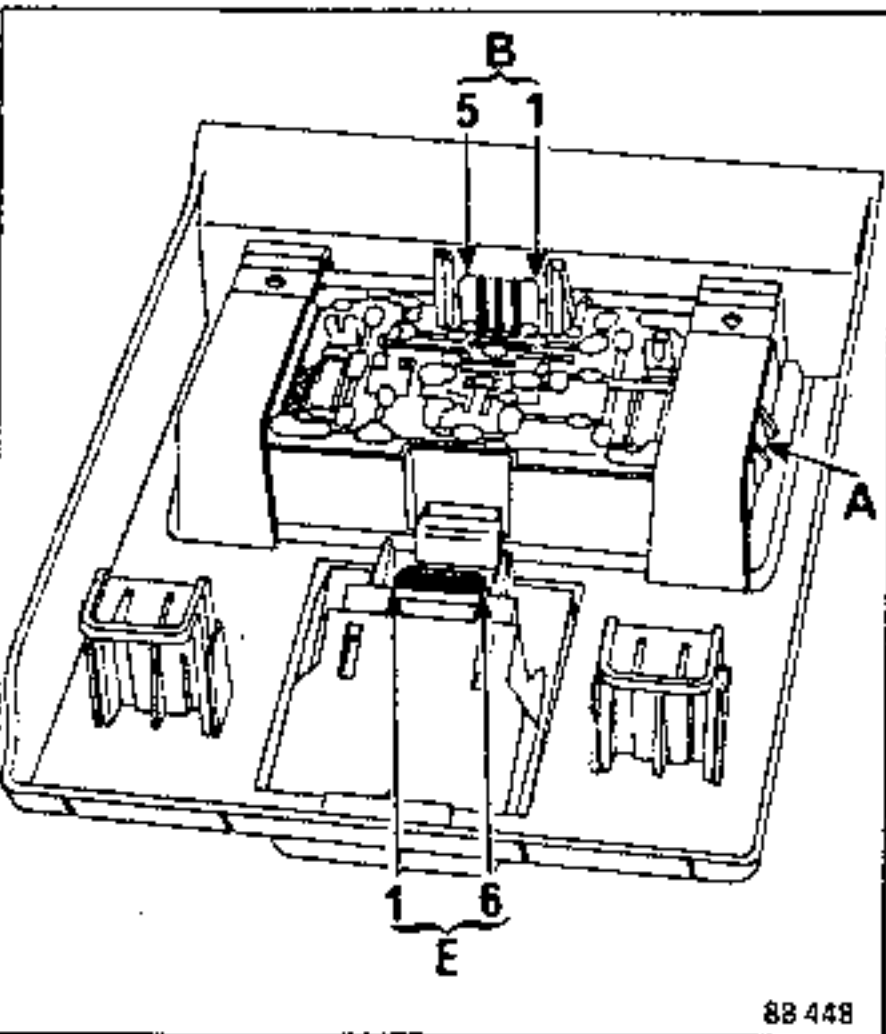
Track	Designation
2	Earth
3	+ AVC
4	Info door switch

IRC *(E) connector.

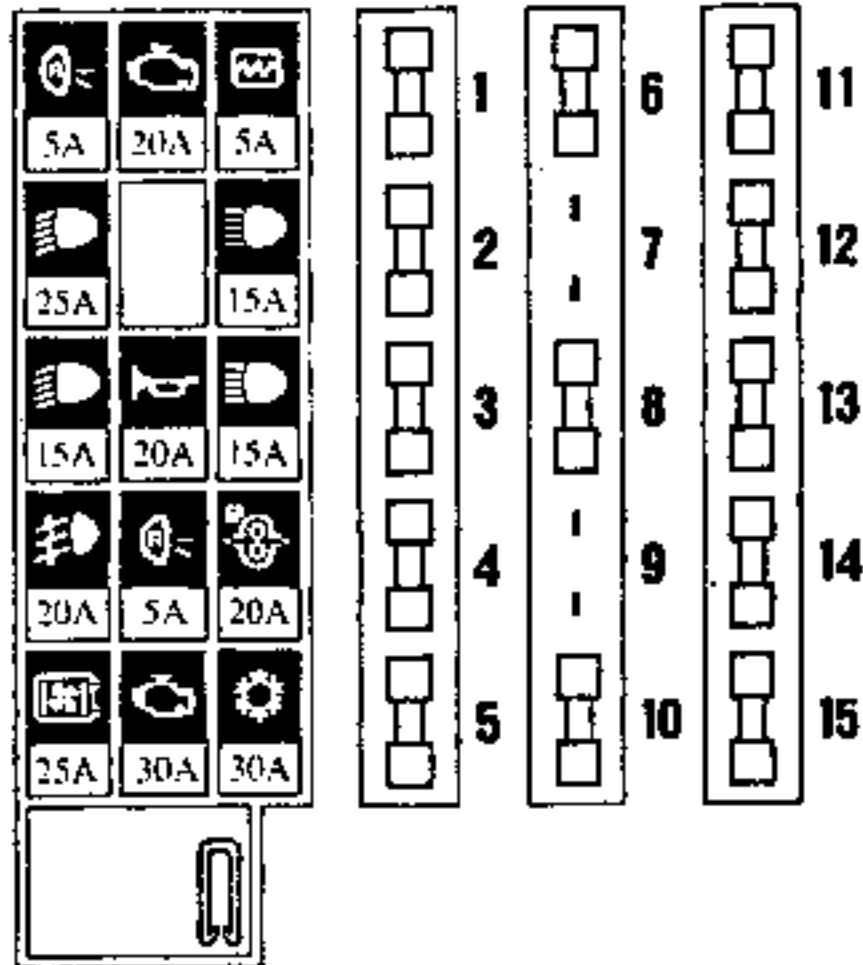
Track	Designation
1	IRC* earth
2	CDL** close command
4	CDL** open command
6	+ before ignition IRC*

* IRC = infra red remote control

** CDL = central door locking



Fuse Box (Engine compartment)



Fuse application (according to equipment level and country).

No.	Amps.	Affects.
1	5	Reversing light / alarm
2	25	Right rear light Headlight washer
3	15	Left rear light
4	20	Front fog lights
5	25	Cooling fan
6	20	Engine functions (+APC)
7	-	Not used
8	20	Horn
9	-	Not used
10	30	Engine functions (+AVC)
11	5	Automatic transmission
12	15	Right hand headlamp
13	15	Left hand headlamp
14	20	Fuel pump
15	30	Air conditioning

REMOVAL - REFITTING.

Disconnect the battery.

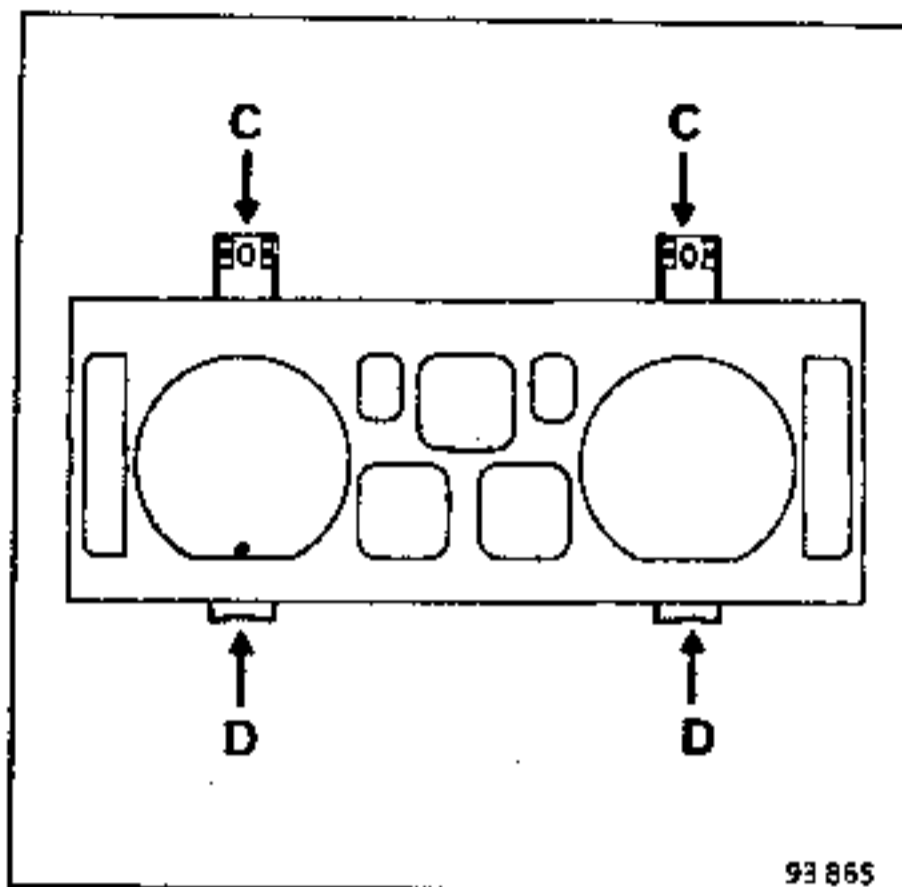
Remove:

- The lower cowling under the steering wheel (3 screws), by unclipping it carefully after removing the ignition key. The cowling should be removed downwards.

-The steering column cover (2 screws). Remove this by pulling downwards to gain access to the speedometer cable. Disconnect this.



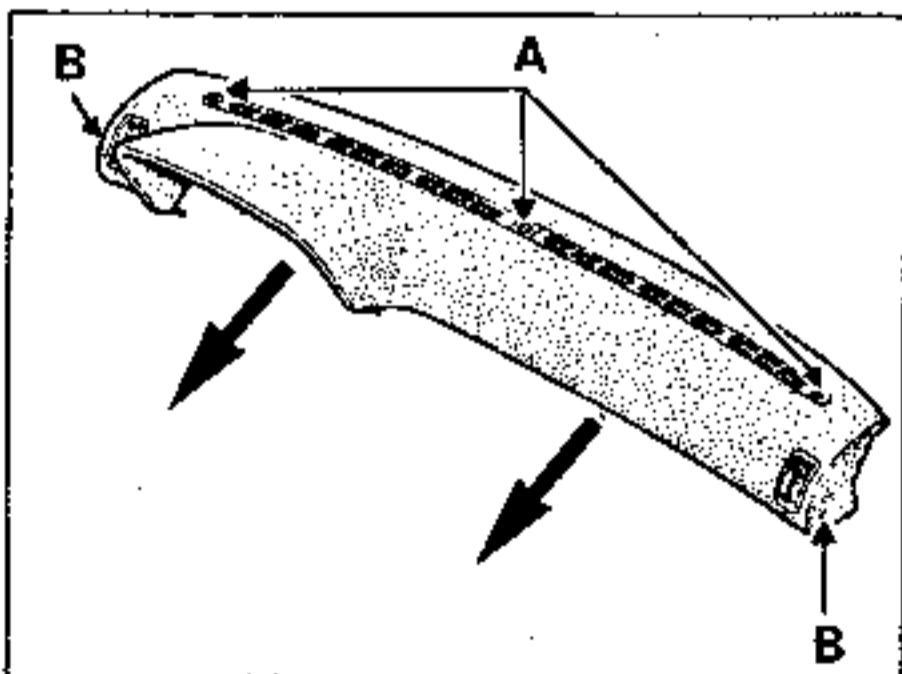
- the instrument panel by the 2 screws (C) and the 2 screws (D).



Remove the instrument panel and disconnect the electrical connections.

Remove:

-the dashboard cover by the 3 upper screws (A) and the 2 side screws (B). Remove this by pulling towards you.



REMOVAL.

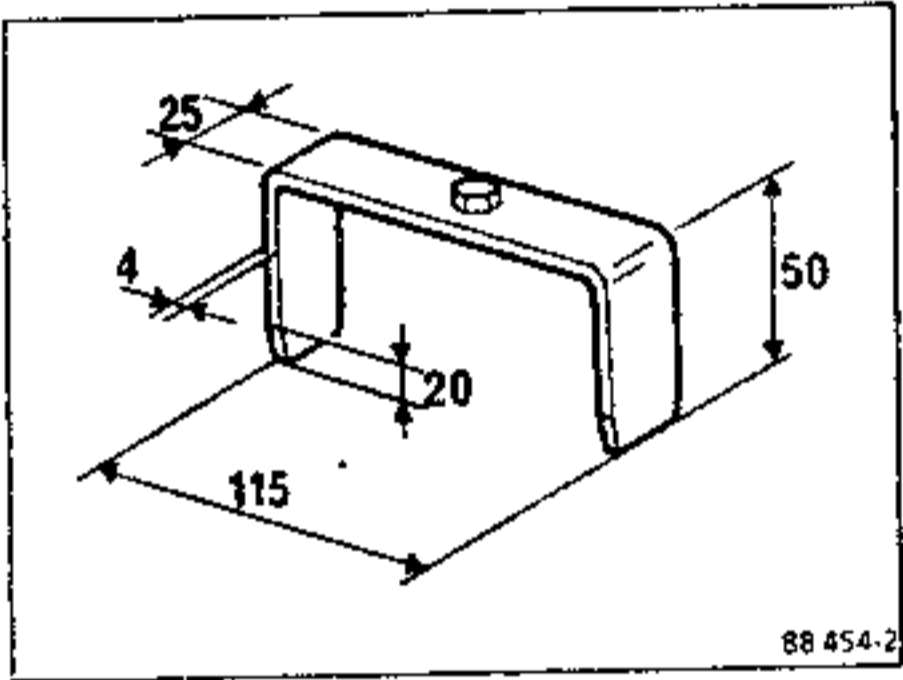
Disconnect the battery.

Do not use a screwdriver or a hammer. The slots in the head of the plastic nut and the sensor may be damaged.

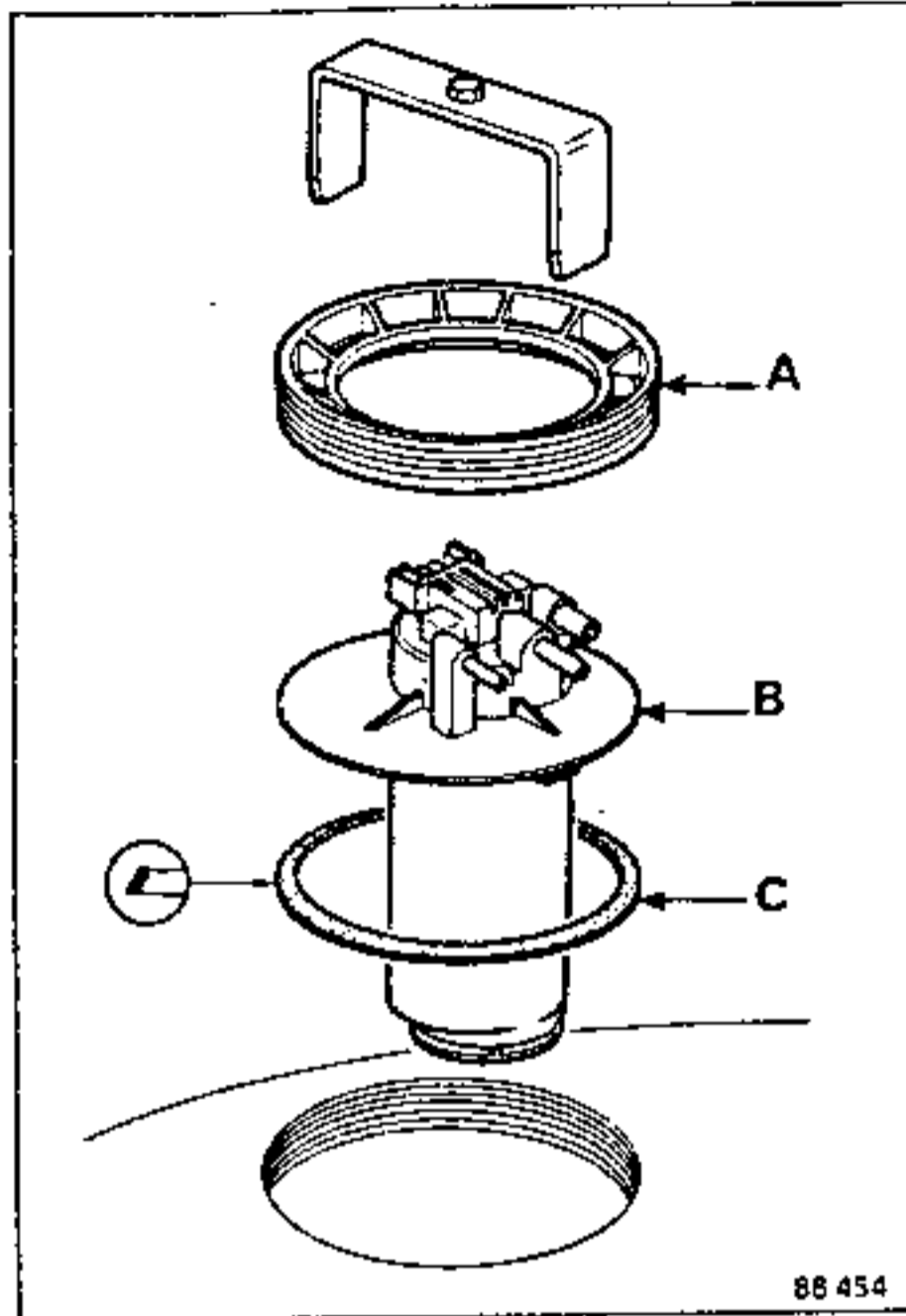
Access: Tip the rear seat and remove the plastic floor plug.

Make a tool in the workshop to be able to obtain the required tightening torque ($7 \text{ daNm} \pm 0$).

Making the tool.



Drill a hole in the middle of a flat strip $25 \times 4 \times 210$ mm and weld a 13 mm hexagonal bolt onto the strip. Bend the strip to form a U shape. Adjust to ensure the tool enters the plastic nut slots.



- A Nut
- B Sensor
- C Seal

TESTING.

INDICATION	VALUE BETWEEN TERMINALS 1 and 3 (Ω).
4/4	7 MAXI
3/4	51 ± 7
1/2	100 ± 10
1/4	159 ± 16
Reserve	300 ± 20

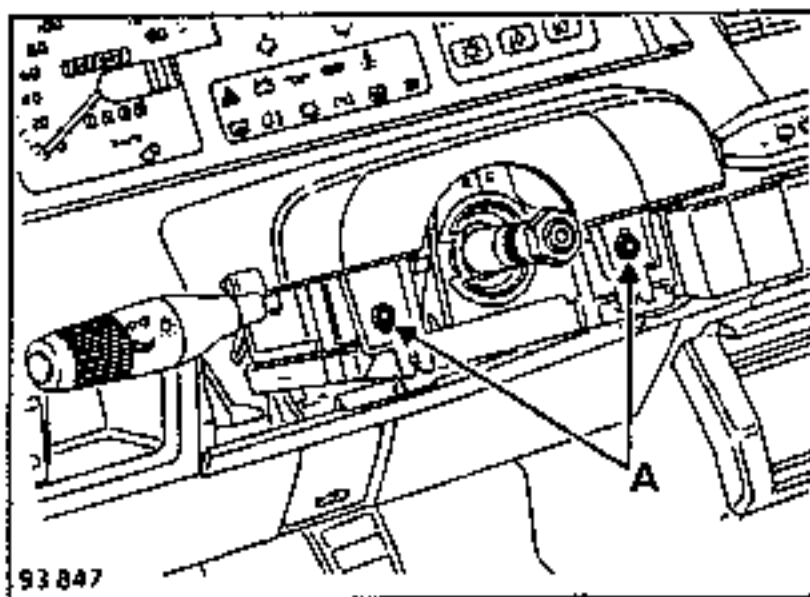
Values are given for information. Test the resistance variation by moving the float.

REMOVAL - REFITTING - CONNECTION.

Disconnect the battery.

Remove:

- the steering wheel
- the lower half cowling (3 screws)
by carefully unclipping it after
having removed the ignition key.
Remove cowling downwards.
- the upper half cowling, 2 screws (A).

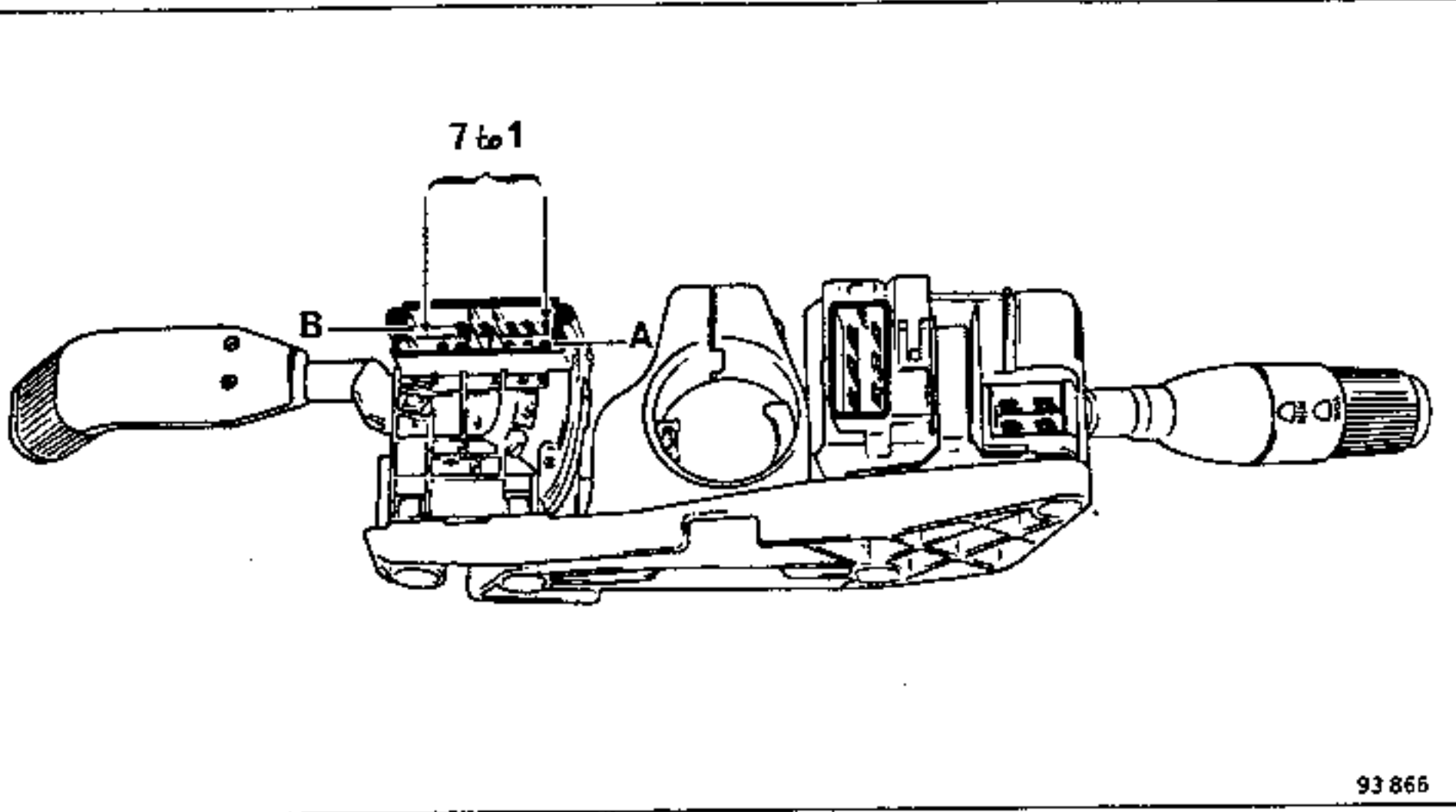


Remove the two fixing screws for the
switch on the support plate.

Remove the switch.

Disconnect the wiper switch electrical
plug.

CONNECTIONS (high equipment level).



Front / rear windscreen wiper.

Track	Designation.
A 1	+ APC front wiper
A 2	High speed wiper
A 3	Slow speed wiper
A 5	Slow speed timed
A 6	Front timer
A 7	Front wiper park *
B 1	Rear timer
B 2	Not used
B 3	+APC rear wiper
B 4	Front washer pump
B 5	Rear washer pump
B 6	Not used
B 7	Not used.

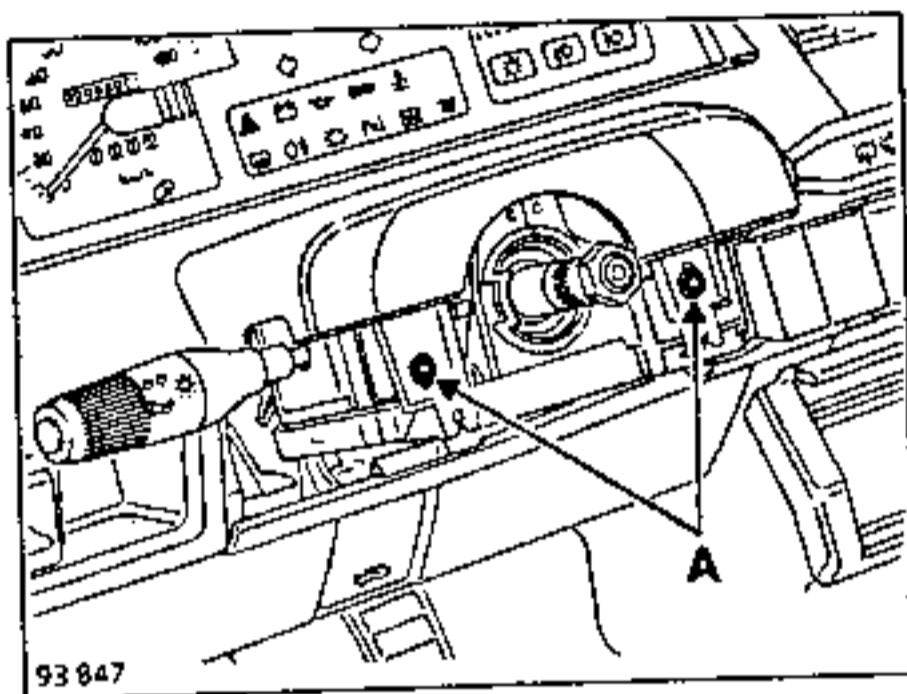
* According to equipment level.

REMOVAL - REFITTING - CONNECTION.

Disconnect the battery.

Remove:

- the steering wheel,
- the lower half cowling (3 screws), carefully unclipping it and removing downwards, after having removed the ignition key.
- the upper half cowling, 2 screws (A).



Remove the 2 fixing screws for the switch on the support plate.

Remove the switch.

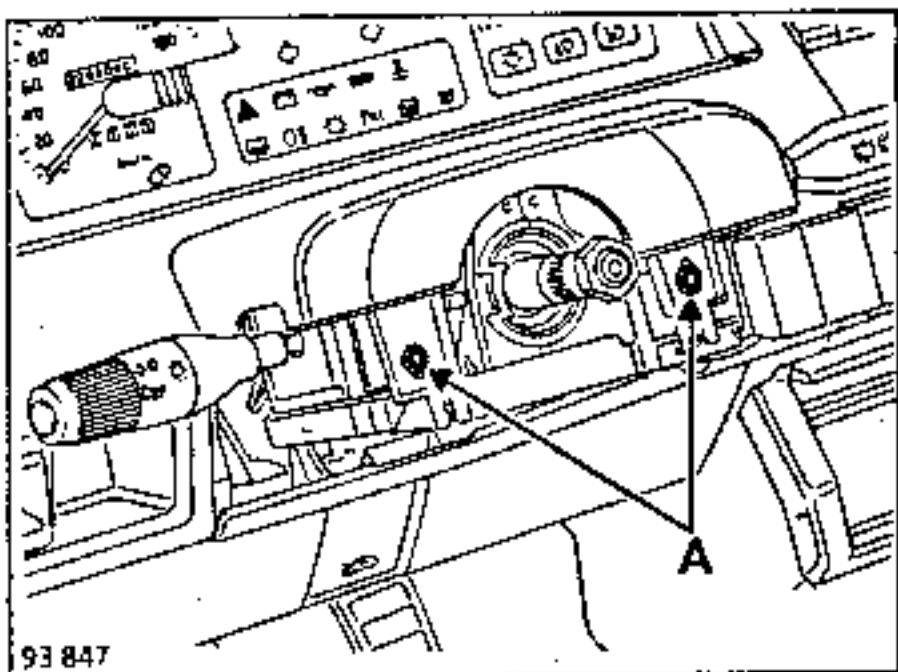
Disconnect the lights switch connector.

REMOVAL - REFITTING - CONNECTION.

Disconnect the battery.

Remove:

- the steering wheel,
- the lower half cowling (3 screws), unclipping it carefully and removing it downwards, having removed the ignition key.
- the upper half cowling, 2 screws (A).



93 847

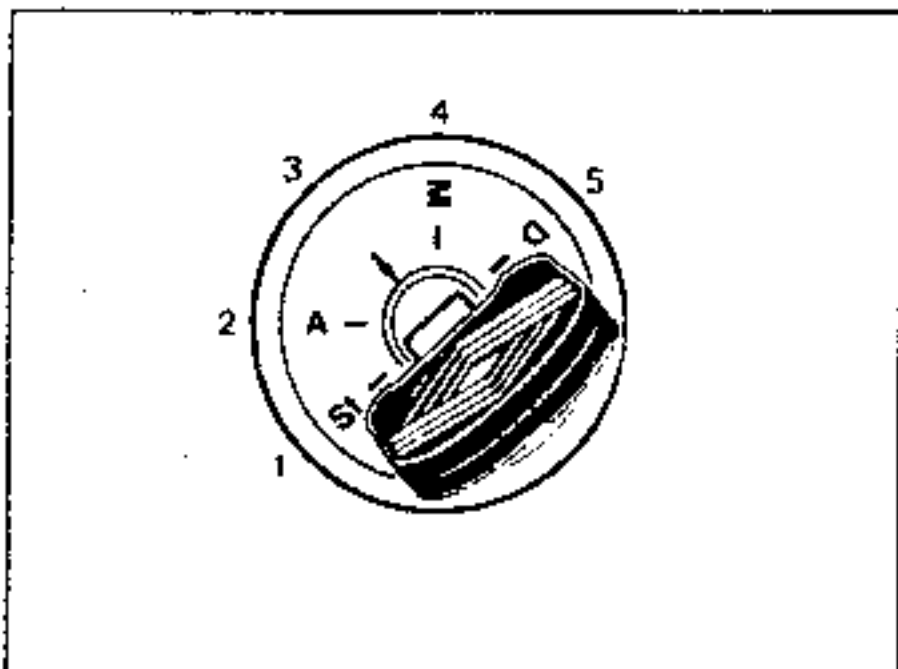
- the steering column cover (2 screws) by pulling it downwards.

Disconnect the 2 ignition switch connectors.

Remove the fixing screw for the ignition switch.

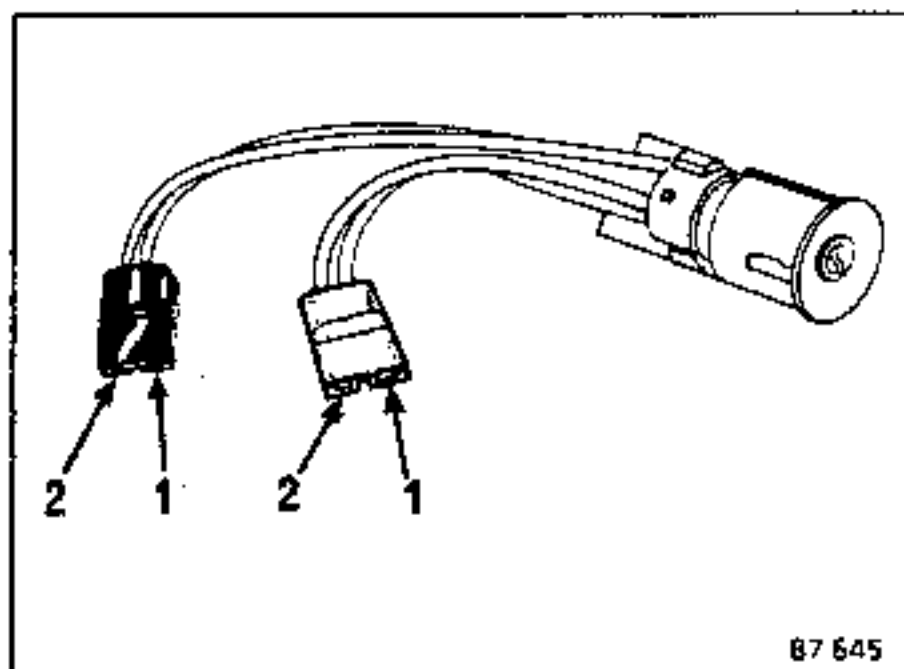
Put the key into the "garage" position or (3).

Press on the retaining plunger and remove the ignition switch.



Make sure the wiring is routed correctly when refitting.

CONNECTION.



87 645

Black connector.

Track	Designation.
1	+ before ignition
2	Starter / ignition

Grey connector.

Track	Designation.
1	Accessories
2	+ after ignition

REMOVAL.

Make sure the assembly is in the "park" position.

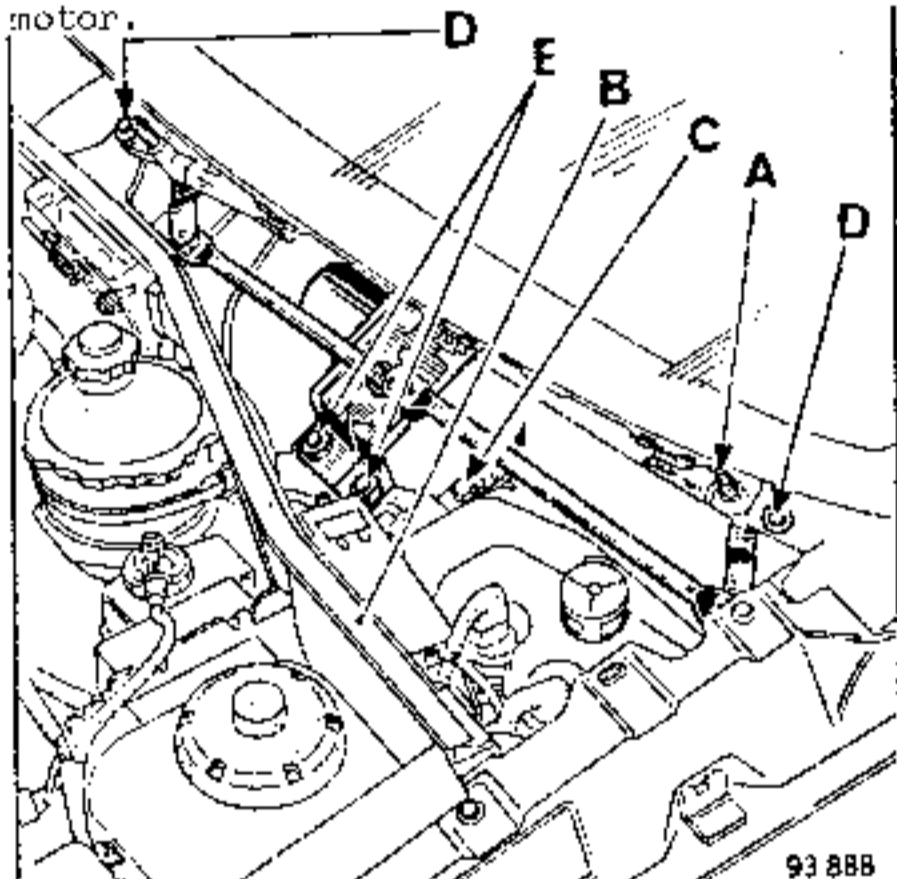
Disconnect the battery.

Remove:

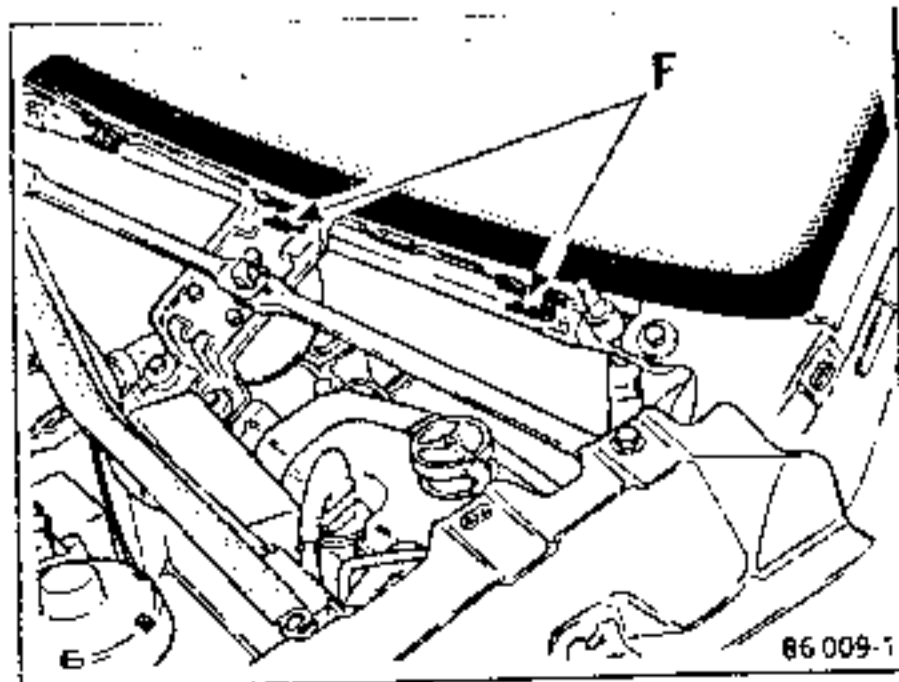
- the two windscreen wiper arms by the screws (A).
- The scuttle panel grille by undoing the 5 screws.

Disconnect the scuttle panel grille without removing the seal (B) and by also disconnecting the front windscreen wiper connections.

Disconnect the connector on the wiper motor.



Remove the earth wire screw (C).

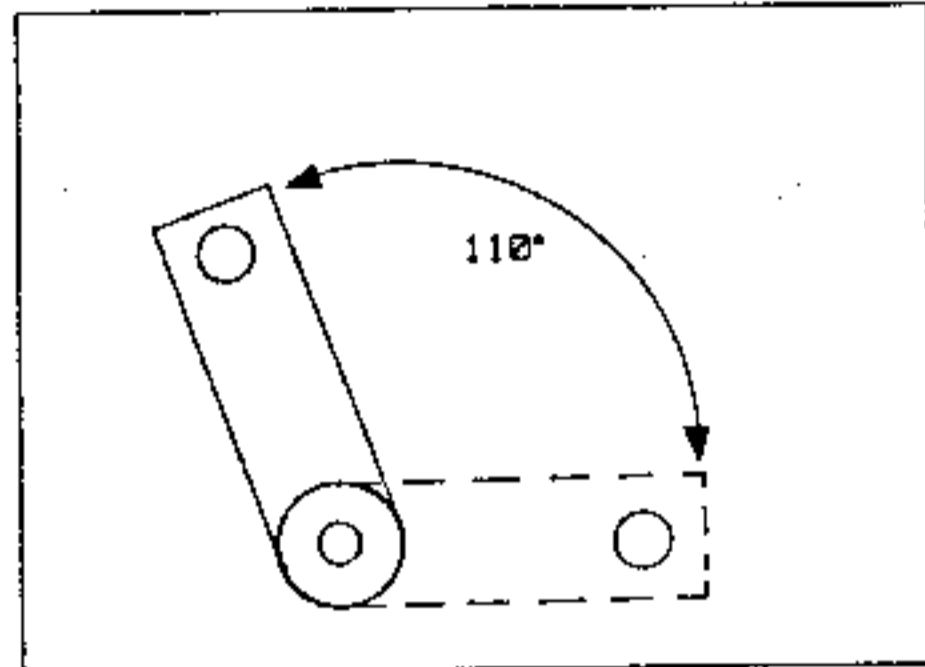


Remove the two metal clips (F).

Turn the motor and the spindles by hand, to position the drive link at 110° (continuous line) from its park position (dotted line) (see drawing).

Remove the 4 fixing screws (D) and (E).

Remove the motor/mechanism assembly.



Refitting notes.

Refit the motor mechanism assembly by centering the two fixings (E) in the middle of the cross piece.

Reposition the drive link by hand to the park position (dotted line).

REMOVAL - REFITTING OF WIPER MOTOR.

(mechanism removed).

Mark the position of the drive link.

Unscrew the fixing screw for the drive link.

Remove:

- the 3 motor fixing screws
- the motor.

REFITTING NOTES.

Position the drive link opposite the reference mark made when removing the motor.

CONNECTION.

Track	Designation.
A 1	Slow speed
A 2	Park
B 1	High speed
C 1	+ park
C 2	Earth

REMOVAL - REFITTING.

Disconnect the battery.

Remove the wiper arm carefully as it does not have a wide range of movement.

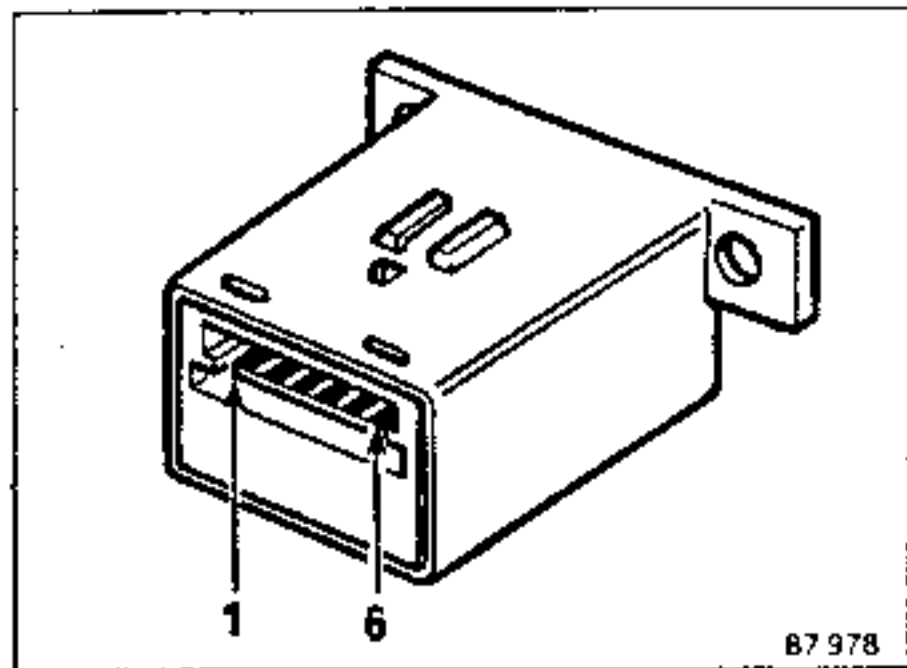
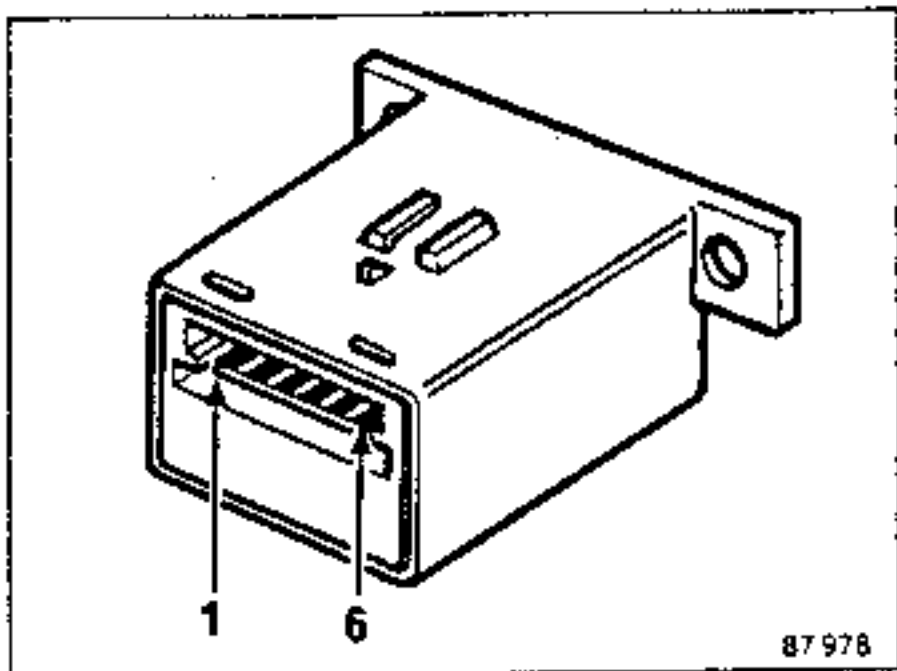
Remove the tailgate inner trim.

Disconnect the motor connector.

Remove the motor (3 screws).

FRONT WIPER TIMER.

REAR WIPER TIMER.



CONNECTION.

CONNECTION.

Track	Designation.
1	Earth
2	+ wiper pump
3	Timer control
4	Wiper park
5	+ after ignition
6	Slow speed output

Track	Designation
1	Not used
2	+ wiper pump
3	Timer control
4	Earth
5	+ after ignition
6	Timer output to motor