



Type

S/Section

CLIO

ALL TYPES

24

81 SPECIAL FEATURES OF THE NEW CLIO

- Engine : XXX
- Gearbox : XXX Basic Manual : M.R. 295

This technical note contains special features of the new
CLIO :

- Front lights, 3rd stop light and rear fog light switch
audible warning.

"The repair methods given by the manufacturer in this document are based on the technical specifications current when it was prepared.

The methods may be modified as a result of changes by the manufacturer in the production of the various component units and accessories from which his vehicles are constructed".

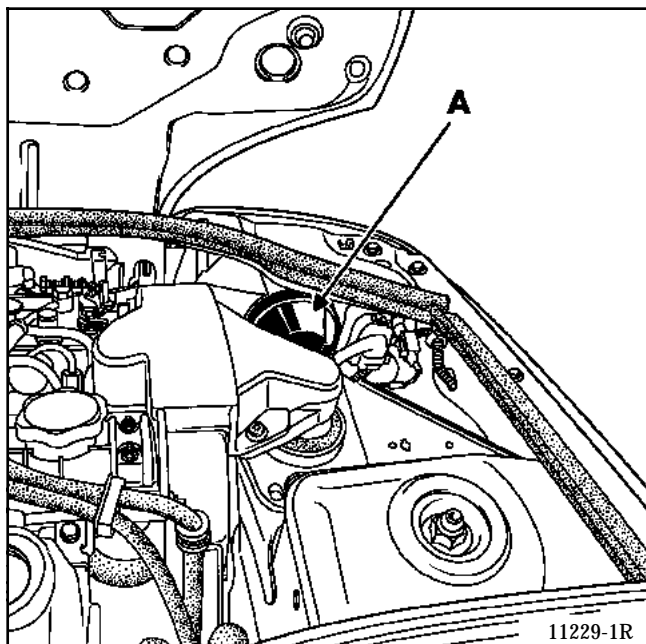
All copyrights reserved by the Régie Nationale des Usines Renault.

Copying or translating, in part or in full, of this document or use of the service part reference numbering system is forbidden without the prior written authority of the Régie Nationale des Usines Renault S.A.

REMOVAL - REFITTING

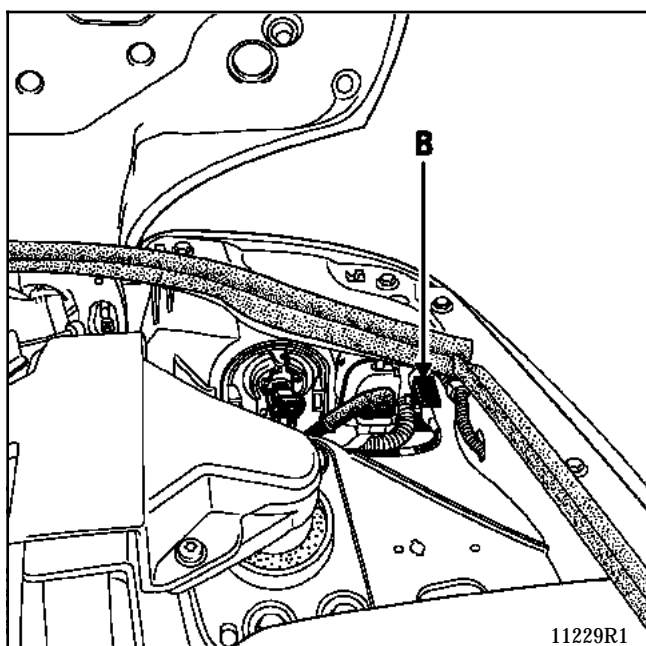
Disconnect the battery.

Remove the plastic clip (A) by pressing the two tabs.



Disconnect :

- the side light and headlight bulb connectors at the back of the headlamp unit,
- the in-situ adjusting unit connector (if necessary).

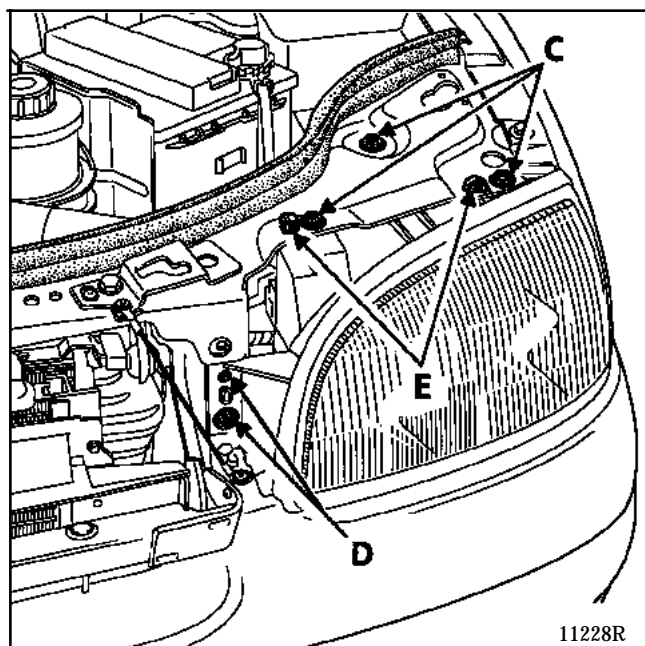


Remove the direction indicator bulb-holder (B) by unclipping it.

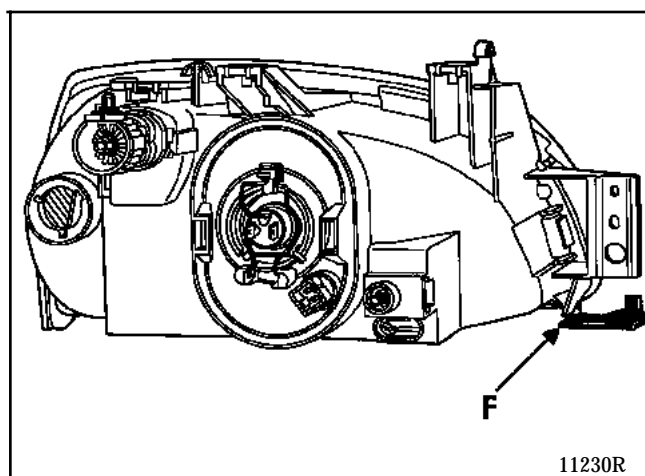
Remove :

- the 3 headlamp unit upper securing bolts (C),
- the 2 side mountings (D).

Disengage the 2 support lugs (E).



Take the headlamp unit out towards the front of the vehicle by twisting the headlamp unit and even by breaking the lug (F) which will give some resistance.



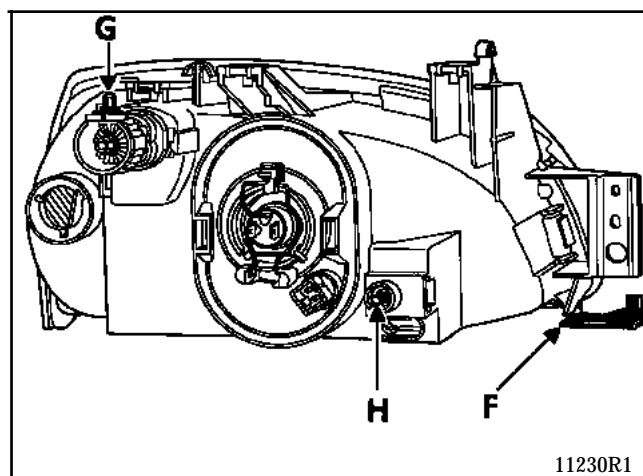
SPECIAL POINTS FOR REMOVAL

To make it easier to reposition the headlamp unit it is preferable to break the lug (**F**).

After refitting the assembly, adjust the headlamp unit.

To do this, make sure that the vehicle is empty.

Carry out the height adjustment using screw (**G**) and direction adjustment using screw (**H**).

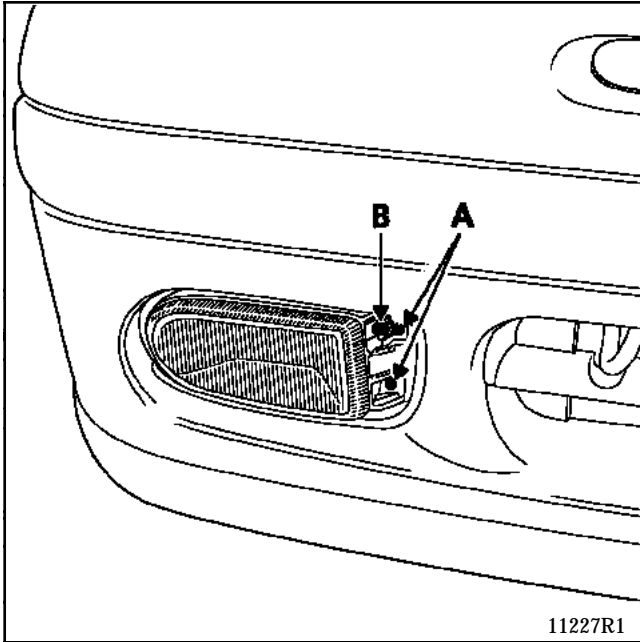


NOTE :

If the vehicle is fitted with the function "in-situ headlight adjustment, place the control in position "0".

For vehicles fitted with front fog lights..

REMOVAL

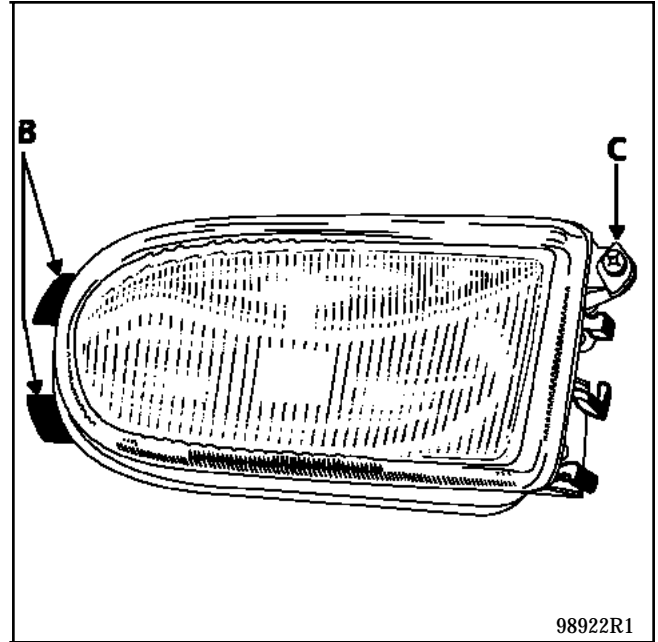


Remove the 2 fog light mounting screws (A) after having removed the plastic cover protecting them.

Then take the headlamp unit out forwards by disengaging the 2 lugs (B).

Disconnect the connector.

REFITTING



Reconnect the connector.

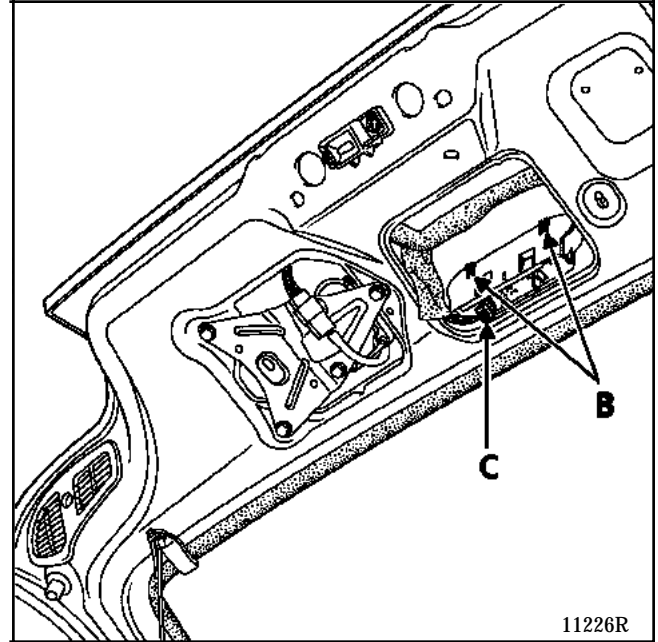
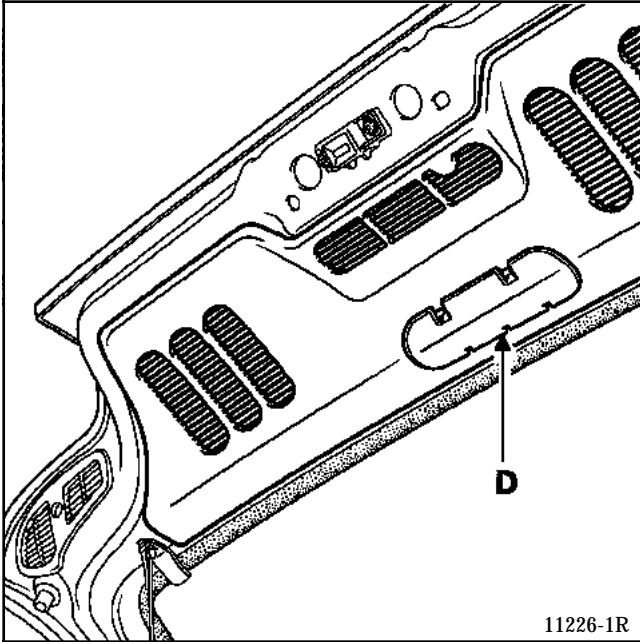
Reposition the fog light using the 2 lugs (B).

Refit the 2 securing screws (A) and their cover.

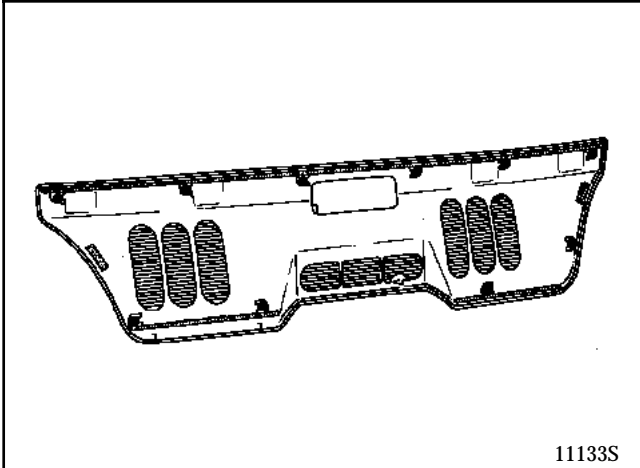
Then adjust the fog light using the screw (C).

Rear lights

REMOVING THE 3rd STOP LIGHT

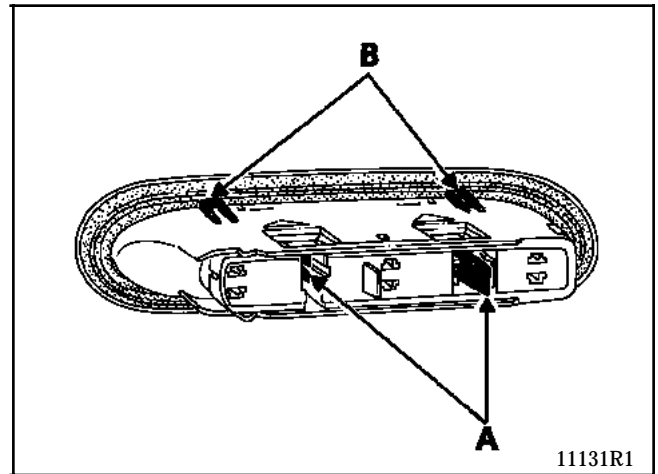


With the tailgate raised, unclip the interior plastic trim which is held in place by 11 clips.



Disconnect connector (C) or unclip the bulb-holders by pressing tabs (A).

Take the light out outwards by pressing on the 2 tabs (B) to disconnect them.



Note :

When replacing the bulbs, it is not necessary to remove the light. Only the bulb-holders need to be unclipped via the access flap (D) located in the luggage compartment interior trim.

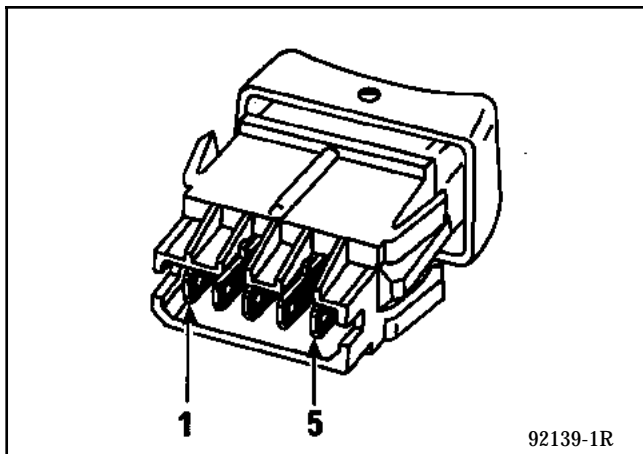
Rear fog light switch audible warning

GENERAL

When the ignition is switched off and a front door is opened, an audible warning is triggered to signal that the rear fog light is activated on the instrument panel.

Note : The audible warning device used is the same as that used for the headlights "on" warning buzzer.

SWITCH



Connection

Track	Description
1	Not used
2	Lighting
3	+ before ignition
4	Light relay coil supply
5	Earth

CIRCUIT DIAGRAMS

11220 Vehicle without front fog lights

11221 Vehicle with front fog lights

List of components

117 Audible warning for headlights

121 Rear fog light switch

122 Switch for front fog lights

172 Right-hand rear light

173 Left-hand rear light

180 Driver's side door switch contact

181 Passenger door switch contact

209 Lighting stalk

230 Rear fog light relay

231 Front fog light relay

247 Instrument panel

260 Fuse box

265 Ceiling light console

299 Fuse plate

304 Sunroof

466 Shunts

958 Rear fog light switch audible warning diode

959 Headlights "on" audible warning diode

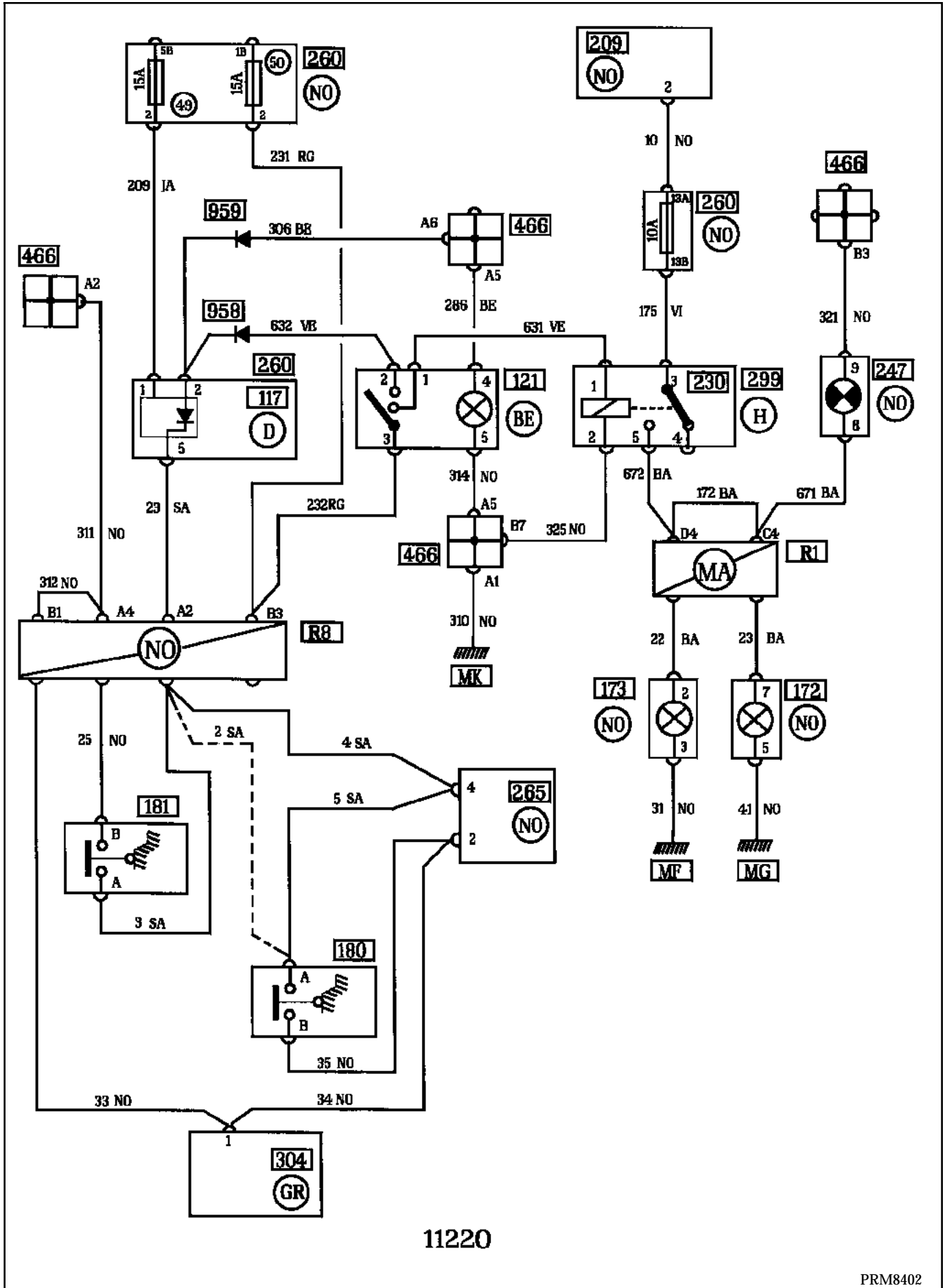
Connections

R1 Instrument panel/Rear right

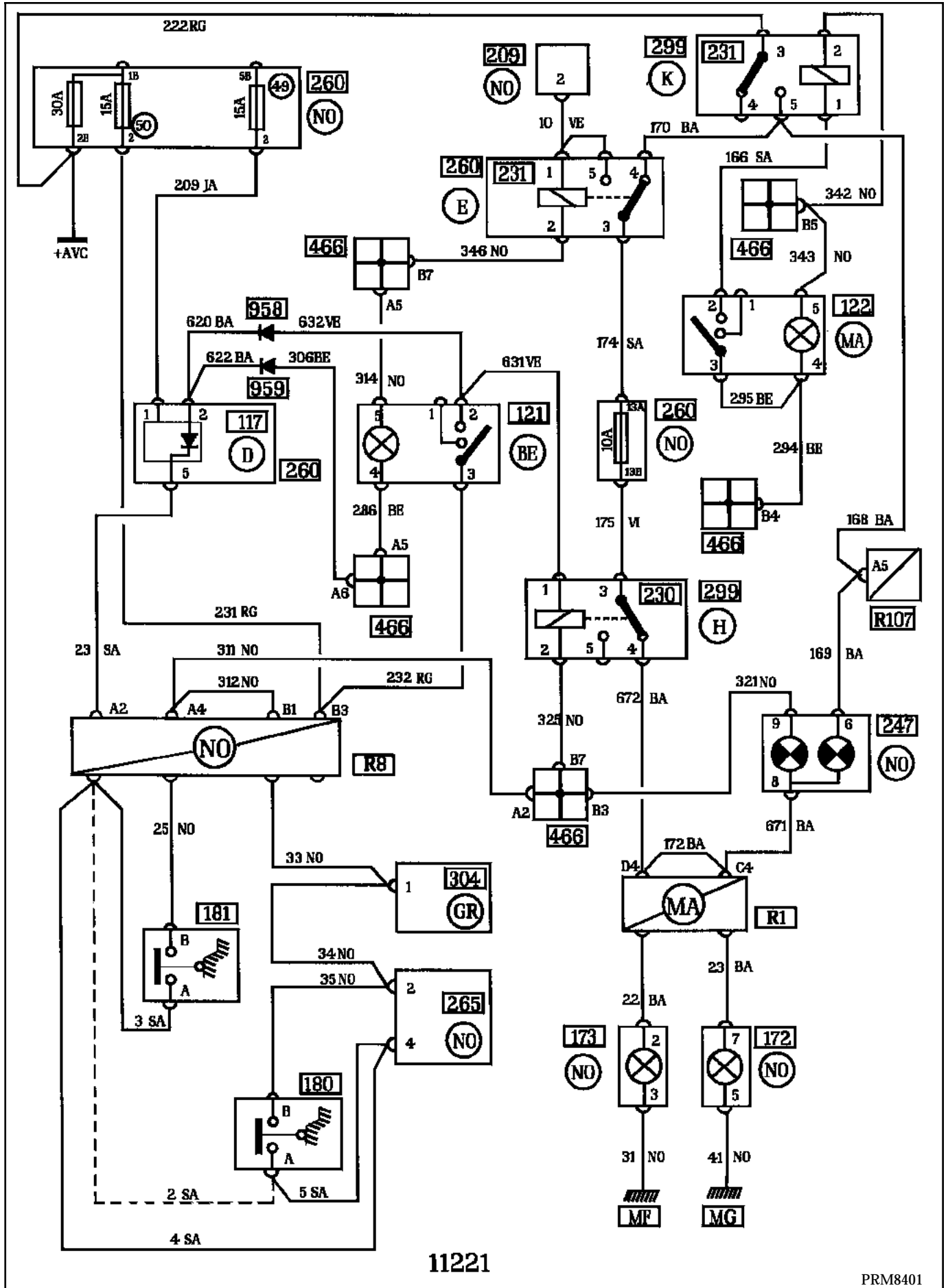
R8 Instrument panel/Roof panel right

R107 Instrument panel/Front engine

Rear fog light switch audible warning (vehicle without front foglights)



Rear fog light switch audible warning (vehicle with front foglights)



11221

PRM8401