



ALL TYPES

Type

S/Section

XXX X

10

10 SPECIAL FEATURES OF F TYPE ENGINES WITHOUT AN INTERMEDIATE SHAFT

Other sub-section concerned :

11

- Engine : F3P-F3R-F7R-F8Q-F9Q Basic manual : XXX
- Gearbox : XXX

This technical note covers :

- identification of engines without an intermediate shaft,
- removal/refitting the oil pump,
- the change in reference number for the tool used to fit the crankshaft seal at the timing end,

following discontinuation of the intermediate shaft on the F type engine.

The repair methods given by the manufacturer in this document are based on the technical specifications current when it was prepared.

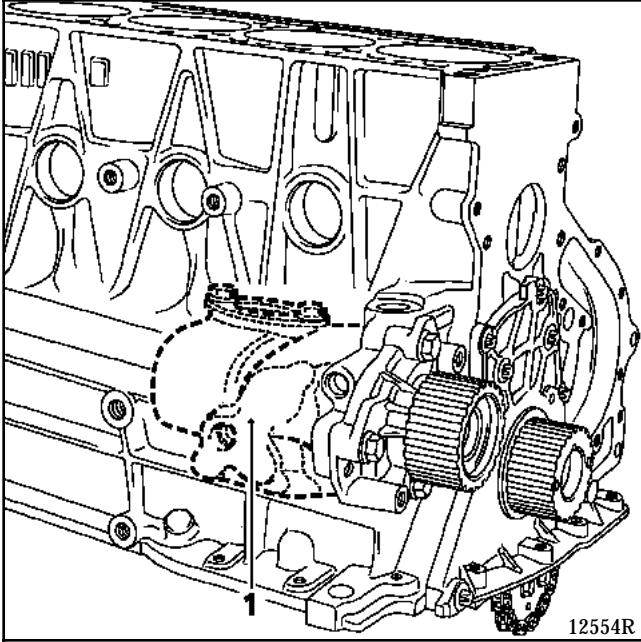
The methods may be modified as a result of changes by the manufacturer in the production of the various component units and accessories from which his vehicles are constructed".

All copyrights reserved by Renault.

Copying or translating, in part or in full, of this document or use of the service part reference numbering system is forbidden without the prior written authority of RENAULT.

A cylinder housing which does not have an intermediate shaft can be identified from the outside by the :

- elimination of the iron casting for the intermediate shaft (1),



- the oil pump is driven by a chain.

Changes in engine suffixes.

Engine	Engine suffix	
	WITH intermediate shaft	WITHOUT intermediate shaft
F3P	670	674
	744	754
	745	755
	748	758
F3R	728	768
	729	769
	750	796
	751	797
F7R	710	714
F8Q	202	208
	620	624
	640	682
	644	648
	646	680
	672	692
	676	696
	706	756
	776	684
784	786	
F9Q	730	734

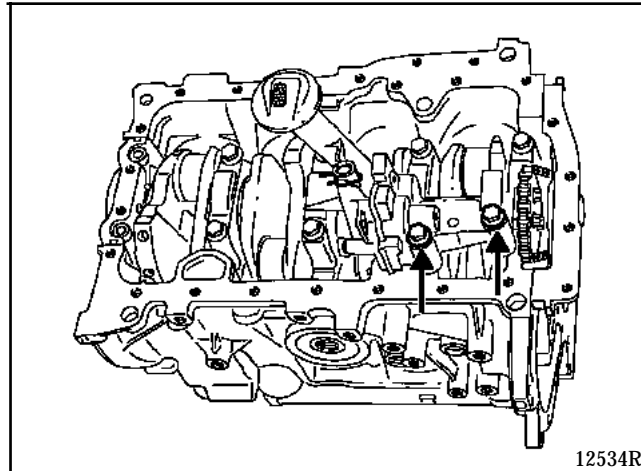
Oil pump

REMOVAL

ATTENTION : To remove the sump on engines without an intermediate shaft, it is **ESSENTIAL** that the engine cradle is lowered by approximately 5 cm.

Remove :

- the sump (see Section 10 on the "Sump" in NT 2734A),
- the two bolts from the oil pump,



- the oil pump by tilting it.

REFITTING

Refitting is carried out in reverse order to removal.

Top up the engine oil.

Crankshaft seal

Fitting the seal at the timing end

Use tool Mot. 990-03.

